

User Manual

Intelligent high-end
Basketball machine



*Easy movement by science
and technology*

Forbid minors to operate or clean the machine ,avoid damage the machine or any danger.

Thanks for choosing intelligent high-end basketball machine
Please read this manual carefully before operating with the machine.

Catalogue

1. Spare parts list and Instruction steps

- Spare parts list①
- IntegralConstruction.....①
- Instruction steps.....②

2. Use instruction

- Panel instruction③
- Button function instruction③

3. Function Parameters

- Main functions④
- Product parameters⑤

4. FAQ

- Notice⑤
- FAQ and solutions⑤

NO.4 FAQ

Notice

- ▲ Do not disassemble or change the machine voluntarily. Otherwise it will damage the machine or result in serious accident.
- ▲ Do not use the machine in the rainy and stormy weather. avoid in to water or lightning strike.
- ▲ Please cut off the power when not using.
- ▲ No moving during working.
- ▲ When cleaning up interior of the machine, do not let the minors operate the machine, avoid damage the machine or cause to any danger.
- ▲ Keep the battery working at least once a month, otherwise the battery will out of service

Normal problems and solving methods

Problems	Caused reason	Solving methods
The machine do not work	①AC/DC power rocker damaged or connect failed. ②Fuse is damaged Do not use the correct AC power.	①Change AC/DC power line or connect successfully. ②Change the fuse. Please make sure if the AC power is on.
Weak ball shooting	①AC power is abnormal. ②The flexibility is not enough. ③The inner part is damaged.	①Check if the AC power is normal. ②Change basketball ③Please contact with the manufacturer or agents.
The machine can not shoot balls	The shooting wheels has oil or water or it is not standard balls.	①Take off the power, clear the water or oil. Take out the stuck balls or all the balls, take the fast speed to test. ②If the above can not solve the problem please contact with the manufacturer or agents.





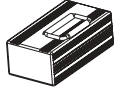
NO.3 Function Parameters

No.	Function Introduction
1	Can practice shooting posture, holding ball manner, two-pointer and three pointer, set shot, running shot, jumping shot, bank shot and so on.
2	Multi-function, work/pause, speed adjustment, 1-17 fixed serve points, circulation serve, arbitrary points or multi-points serve programming, 5 fixed programming serve.
3	Computer programming, power on auto back to the default point
4	Setting goals and machine service points(hit rate) program, LED displays goals, service points, hit rates synchronously.
5	Data clear function.
6	Circulation system makes 1-3 balls use circularly.
7	Transmitting drop points, fixed point or circulate 180°.
8	Frequency is adjustable, fastest 2 seconds /ball, slowest 4.8 seconds /ball.
9	Down fairway reserves balls function, serve 3 balls circularly, increase touch rates.
10	The distance between two shooting wheel is adjustable, suitable for size 7 basketball.
11	The height of shooting can be adjusted freely according to the height of shooters, angle of vertical can be adjustable, the height of drop points is from 1.4 to 2 meters.
12	Speed and frequency can be adjusted to shooter's habits and performance, making skills upgrade.

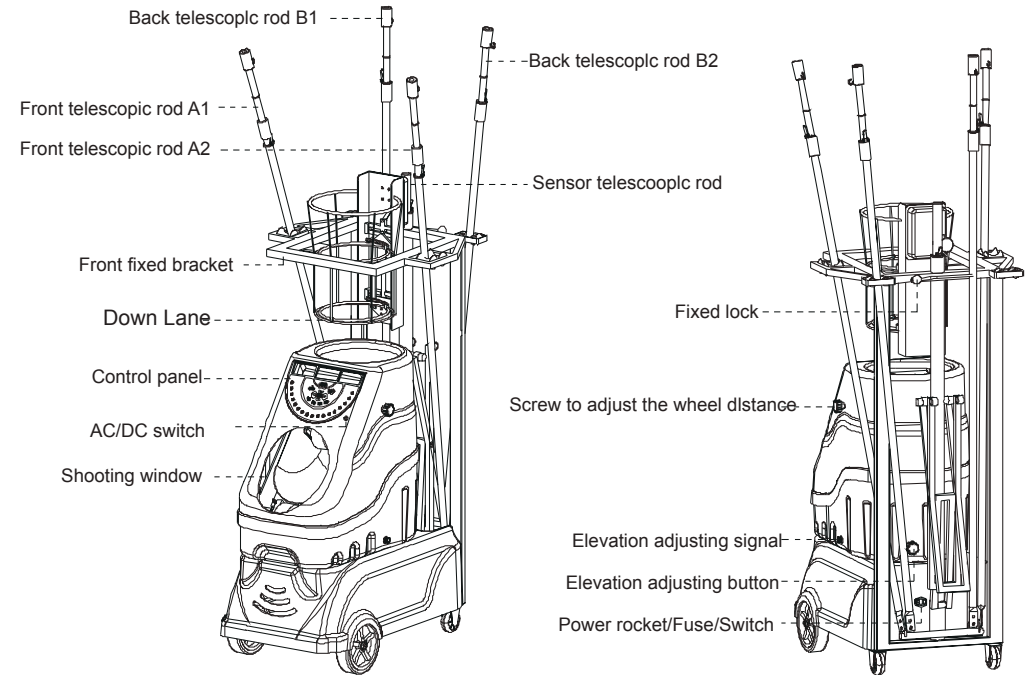
Product Parameters			
Power Rating	280W	Color	Light green/ Purple
Power type	AC 110V/220V DC battery 24V	Weight	123kg

NO.1 Spare parts list and Instruction steps

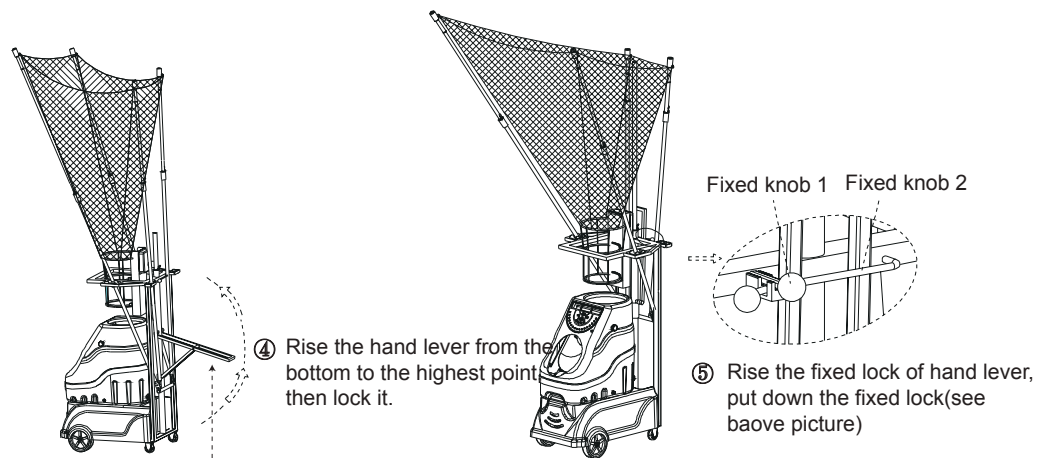
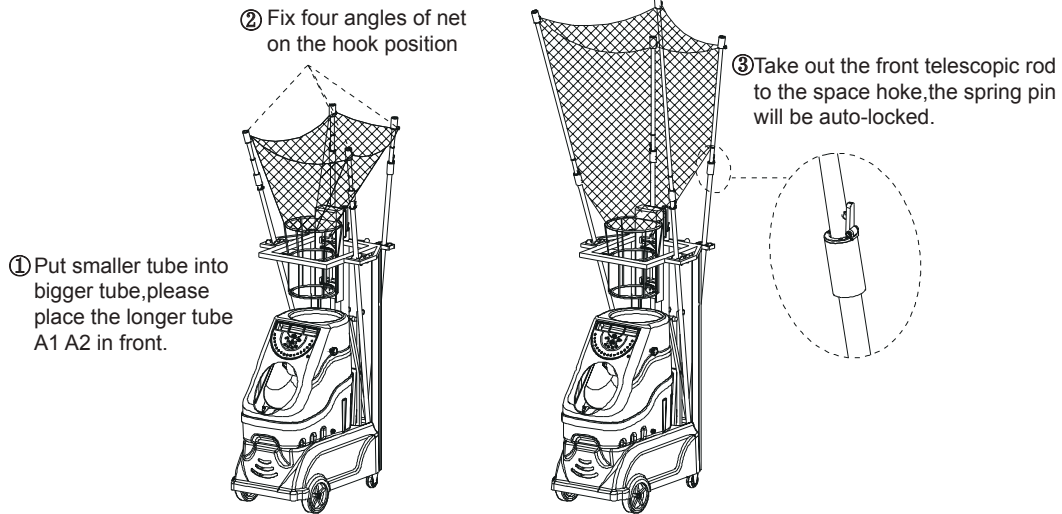
Please check the parts according to the following list when the machine is unpacked.

Spare parts standard		Spare parts choosable		
				
AC Power 1pc	Fuse 5A 2 pcs	DC power 1 pc	Charger 1 pc	Battery 1 pc

Construction



2. Instruction steps



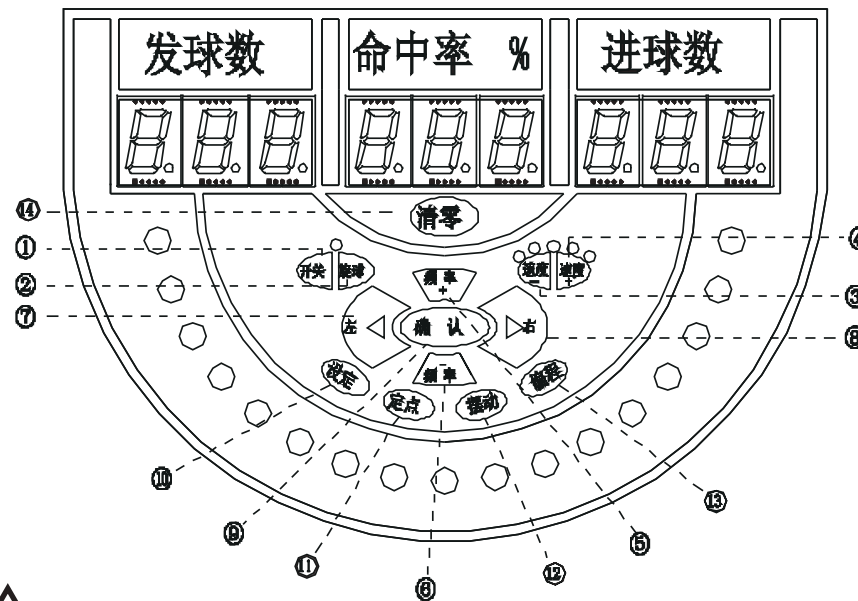
Attention:

1. Hand can not move from the hand lever before fix the rising hand lever.
2. Must fix the rising hand lever, can you take on the machine, or the moving machine will be blocked by the rod.

②

NO.2 Use Instruction

Panel instruction



Attention: 15 seconds auto shooting after press the function key, do not stand in front of shooting window.

Button function instruction

No.	Function button	Function Description
1	Switch	Work/Pause
2	Spin	8 kinds of spin can choose
3	Speed(+)	Increase the speed of shooting
4	Speed(-)	Reduce the speed of shooting
5	Frequency(+)	Increase the frequency of shooting
6	Frequency(-)	Reduce the frequency of shooting
7	Left	Adjust to left direction
8	Right	Adjust to right direction
9	OK	it is to confirm the shooting direction and the quantity of shooting
10	Setting	Setting the shooting direction and quantity, press left direction button to turn left, press right direction button to turn right, press frequency "+" to increase the ball shooting number, press frequency "-" to reduce the ball shooting number.
11	Fixed point	Can choose 1-17 arbitrary fixed points, press left and right to adjust the direction
12	Swing	To make the machine to enter horizontal mode
13	Program	5 kinds of fixed mode program
14	Reset	① Can reset all the displayed data on LCD ② Press reset key 5 seconds to clear all the setting. ③ Press reset key to clear one drop point and ball quantity.

③